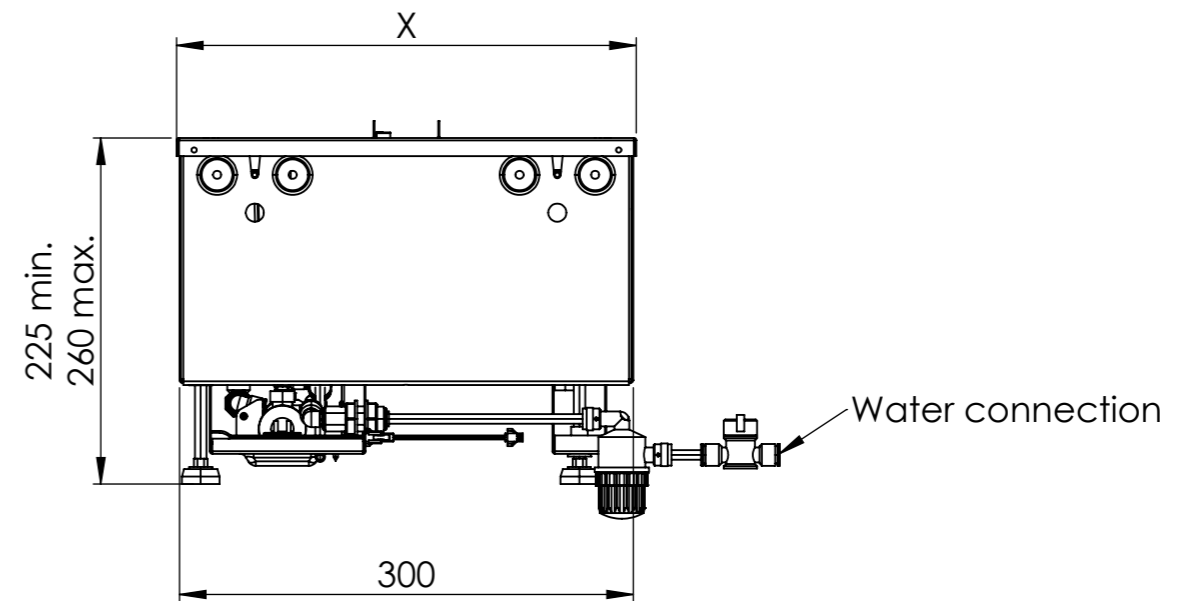
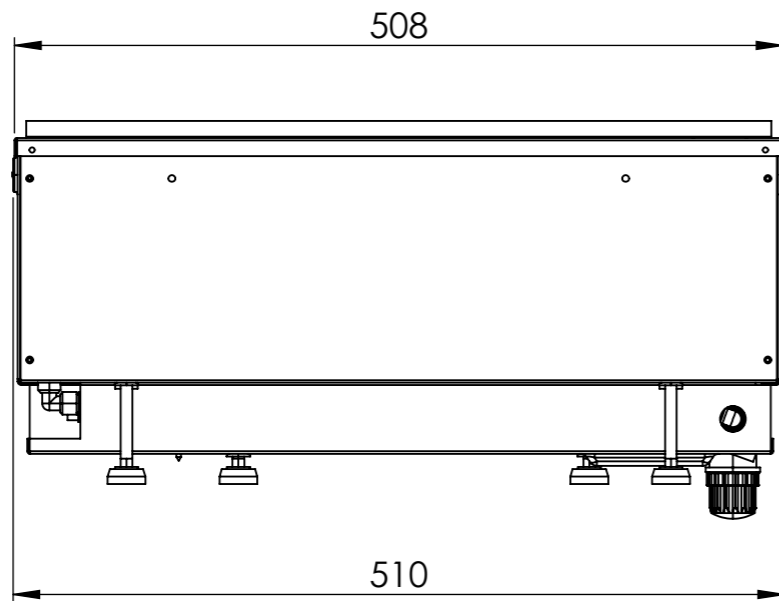
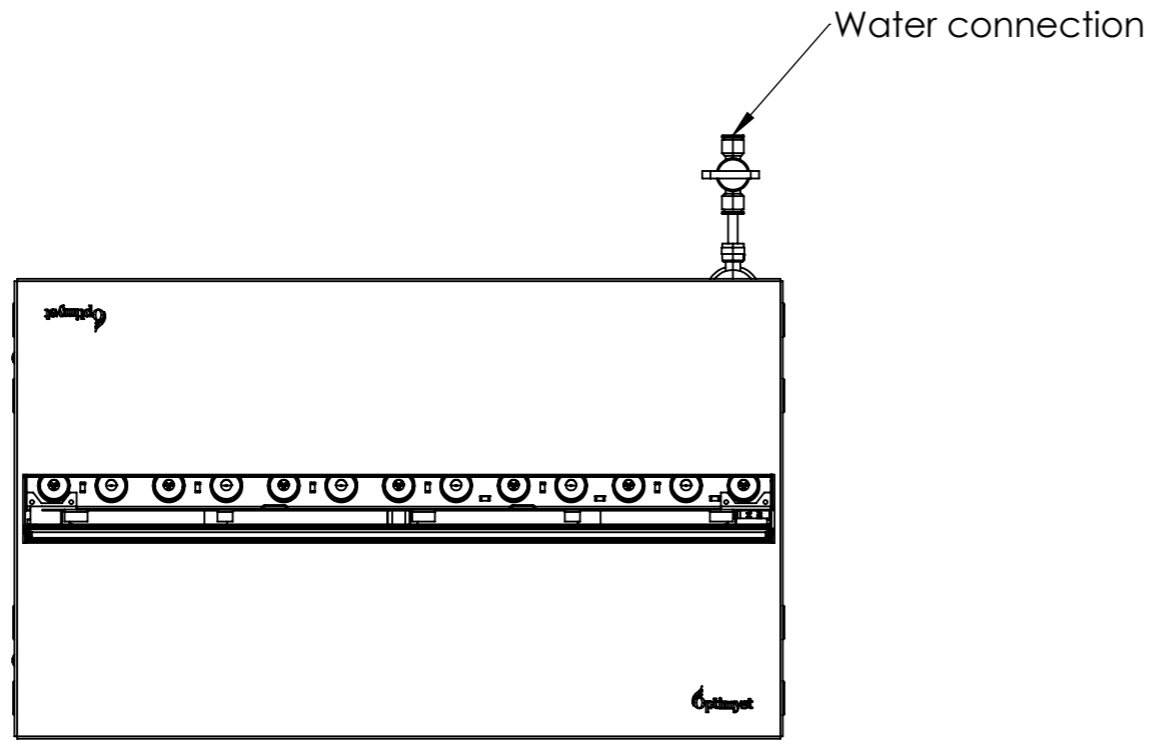

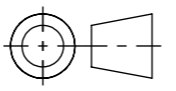


Fuel bed	Dimension X
Metal	304mm
Log	354mm



ISSUE	MODIFICATIONS	OCN	APPD	DATE	NOTES	 <b>GlenDimplex</b> Flame Europe <small>Innovation &amp; Development          Heerenveen, Netherlands          T: +31 513 656 500   E: info@glendimplex.eu</small>	<small>THIS DRAWING IS SUPPLIED IN CONFIDENCE AND THE COPYRIGHT THEREOF IS THE PROPERTY OF GLEN DIMPLEX. IT MUST NOT BE USED BY A THIRD PARTY WITHOUT PRIOR PERMISSION. © 2023</small>											
					Item number EU: 400001274		PROJECT	TITLE Dimensional drawing										
						<table border="1"> <tr> <td>DRAWN BY</td> <td>DATE</td> <td>SCALE 1:5</td> <td>HOLE TOL +/- 0.05</td> <td>GEN TOL 0 +/- 0.4</td> </tr> <tr> <td>APP'D BY</td> <td>DATE</td> <td>DIM IN mm</td> <td>ANGLES +/- 0.5°</td> <td>0.0 +/- 0.2 0.00 +/- 0.1</td> </tr> </table>	DRAWN BY	DATE	SCALE 1:5	HOLE TOL +/- 0.05	GEN TOL 0 +/- 0.4	APP'D BY	DATE	DIM IN mm	ANGLES +/- 0.5°	0.0 +/- 0.2 0.00 +/- 0.1	GDB NO	
DRAWN BY	DATE	SCALE 1:5	HOLE TOL +/- 0.05	GEN TOL 0 +/- 0.4														
APP'D BY	DATE	DIM IN mm	ANGLES +/- 0.5°	0.0 +/- 0.2 0.00 +/- 0.1														
					DO NOT SCALE	 THIRD ANGLE PROJECTION	DRG NO											
					IF IN DOUBT ASK		Cassette 500 multi (Projects)											
						MATERIAL	R.o.H.S. All material must comply with the requirements of European Directive 2015/863/EU on the restriction of the use of certain hazardous substances.											
						FINISH	A3 Sheet 1 of 1											